

DATA SHEET

**CLT CEILING SOLUTION**

The panel offers elegant solution to install over CLT surfaces while improving the acoustics of the space. Designed for a fast and easy install.

**COMPOSITE FIRE RATING**

Expected Class B (per ASTM E-84)  
Awaiting final lab results.

**ACOUSTIC PERFORMANCE**

Initial models indicate an NRC of 0.6.  
Awaiting final lab results.

**COMPOSITION**

The core is 1-1/2" fire rated MDF with a paper backed veneer. The finish coat is a waterborne clear coat.

**SIZING**

Typical planks are 4" wide x 2', 3', 4', 5', 6', 8' in length. The installer can choose the lengths for randomization to achieve a look similar to CLT.

**TOLERANCE**

(+/- 1/16")

**CUSTOMIZATION**

The ends of the planks can be doweled or biscuit-ed for field alignment. This is an up charge.

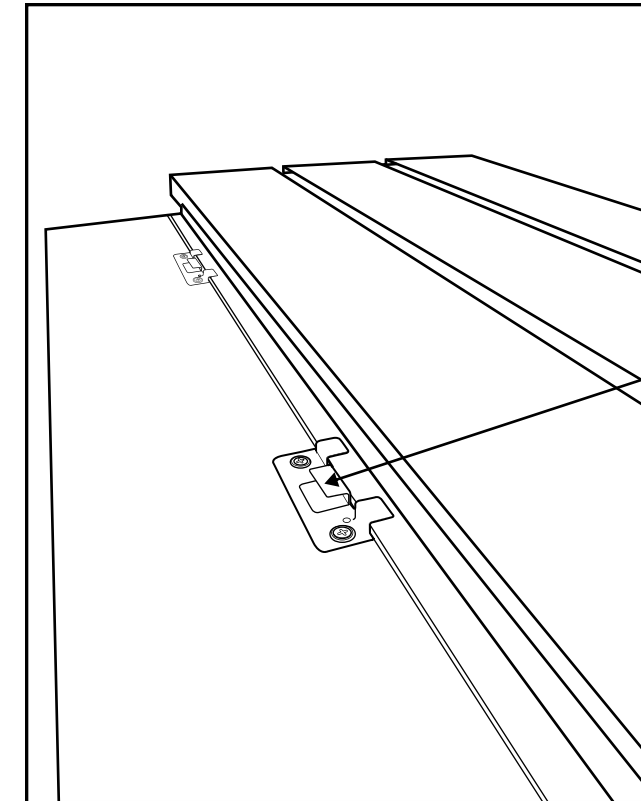


**KEY SELECTION ATTRIBUTES**

- Complete standard system from one manufacturer, including panels, suspension, clips, and trim options.
- Custom options include unique panel configurations and lengths and additional species and finishes.
- The natural warmth of wood can contribute to biophilic designs and building certification standards
- Standard veneers feature various species and cuts for beautiful wood visuals.

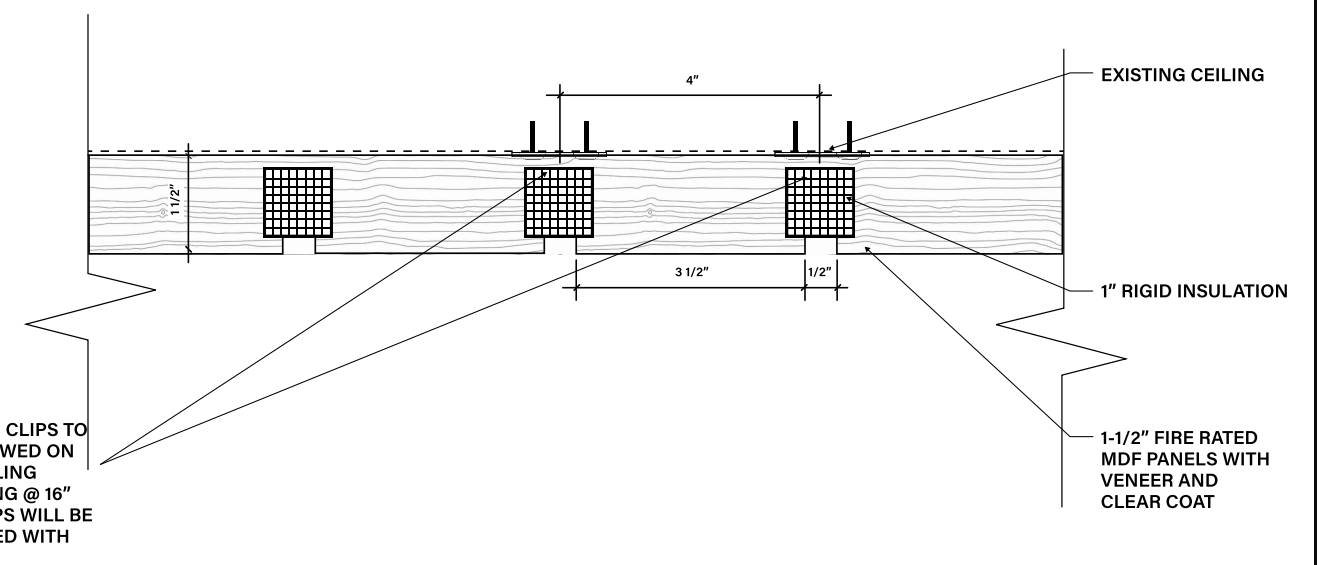
**TYPICAL APPLICATIONS**

- Auditoriums & Assembly Halls
- Museums & Exhibits
- Office Environments
- Recording Studios
- Restaurants
- Museums & Exhibits



**INSTALLATION**

An steel cleat system is available for ceiling mounting. The cleats are to be mounted every 16". If desired



CUSTOM CLIPS TO BE SCREWED ON THE CEILING BLOCKING @ 16" O.C. CLIPS WILL BE INCLUDED WITH ORDER